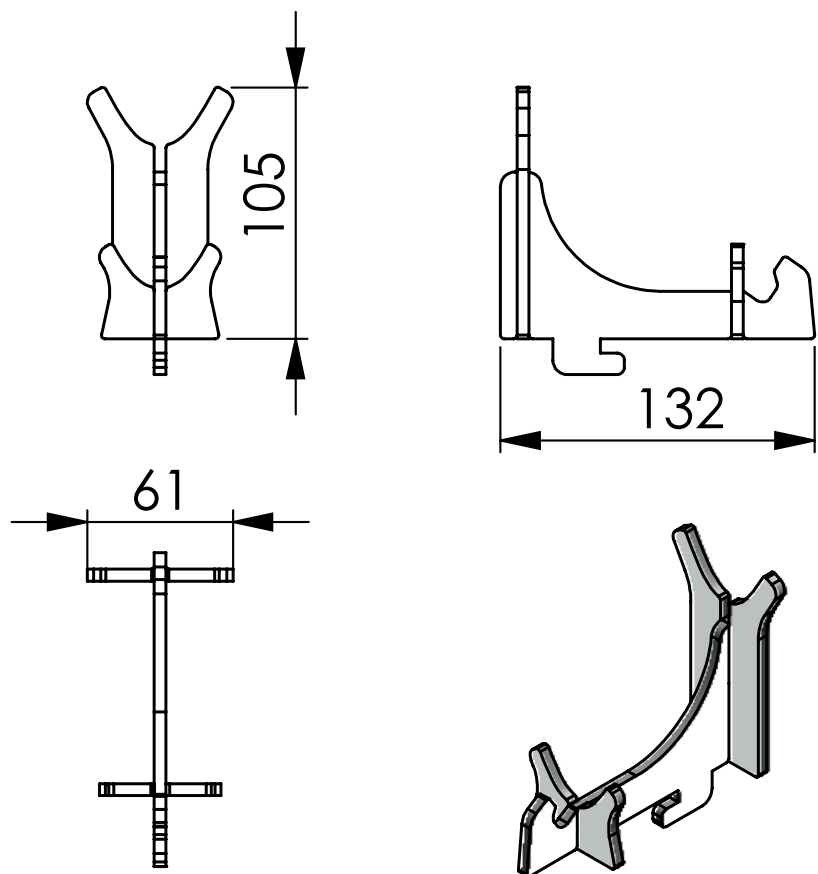


# Universal holder narrow



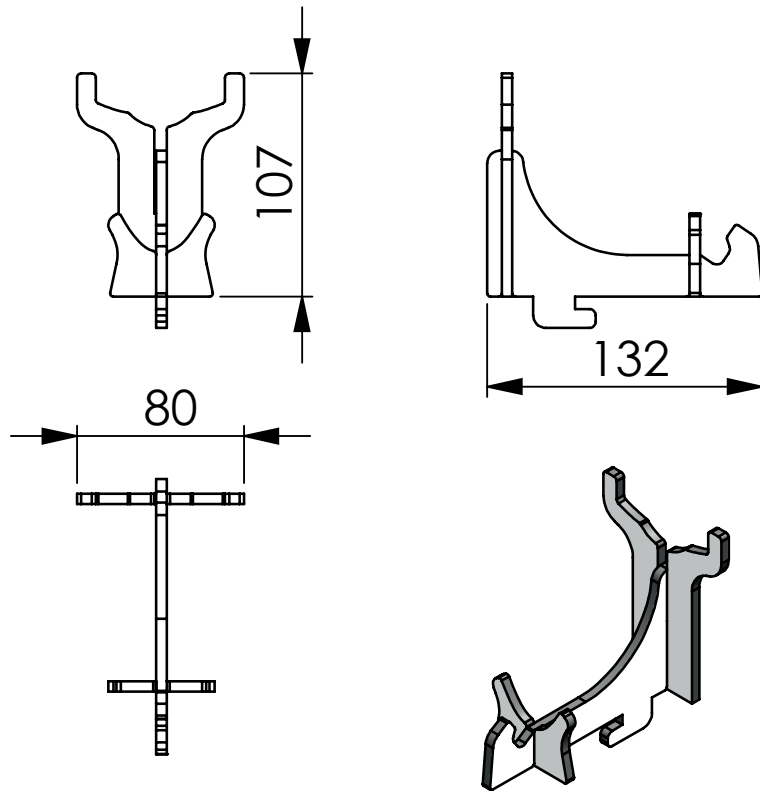
01

Suitable for:

- Manicure/Pedicure devices
  - MP 18
  - MP 41
  - MP 42
  - MP 44
  - MP 52
  - MP 60
  - MP 62
  - MP 64
  - MP 84
- Thermometers
  - FT 58
  - FT 65
  - FT 85
  - FT 90
  - FT 95
  - FT 100
- FaceCare
  - FC 41
  - FC 76
- HairRemoval
  - HL 16
  - HL 35
  - HL 36
  - HL 76

Note: You can also use the Universal holder wide with the products mentioned above, should there be no more narrow holders available.

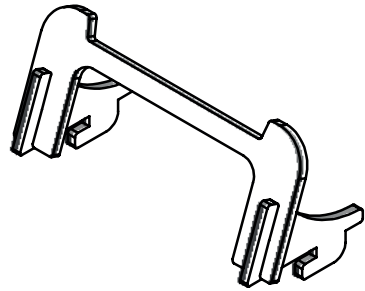
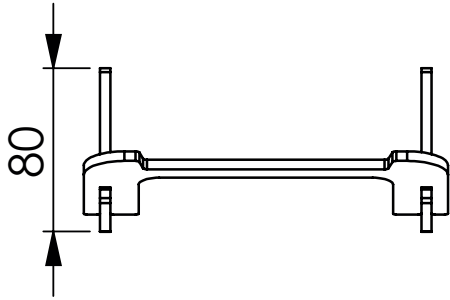
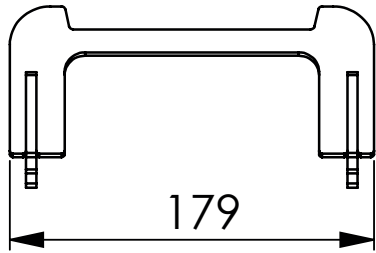
# Universal holder wide



02

Suitable for:

- Manicure/Pedicure devices
  - MP 55
  - MP 59
- Luggage Scales
  - LS 06
  - LS 10
  - LS 20
- TENS/EMS devices
  - EM 49
  - EM 50
- HairRemoval
  - HL 40
- IPL
  - IPL 5500
  - IPL 5800
- MenCare
  - MN2X
  - MN4X
  - MN5X
  - MN8X
  - MN9X



03

Special holder for BM 81

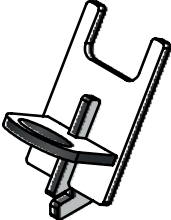
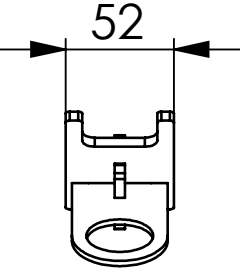
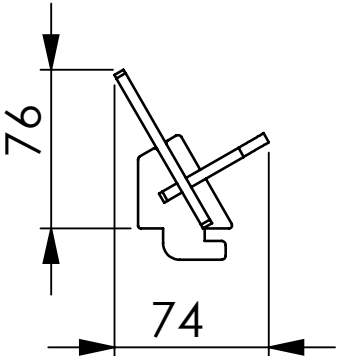
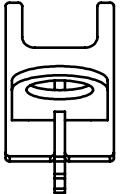
Please note: Holder goes over two placements

Please use the BM 81 insert sheet with description on one field and a neutral Medical image on the other field.

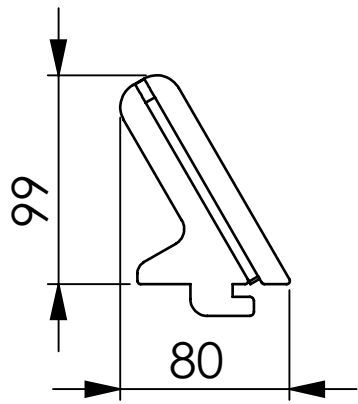
Holder for insect bite healer

Suitable for:

- BR 10
- BR 60
- BR 90

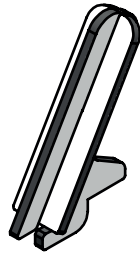
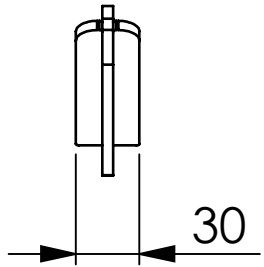


04



### Cuff holder

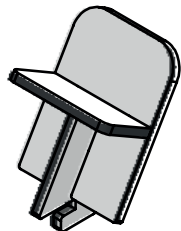
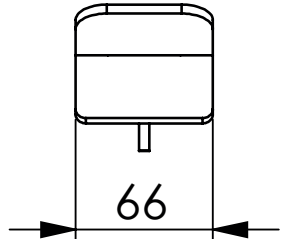
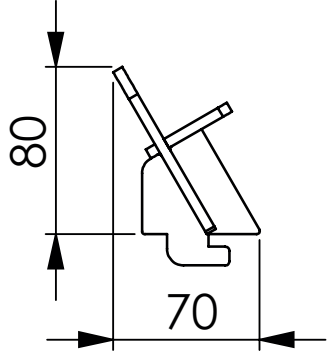
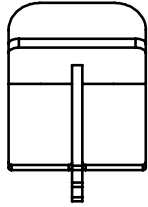
Suitable for all wrist blood pressure monitors and for the cuffs of all upper arm blood pressure monitors (except for BM 81, which has a special holder.)



05

Pulse oximeter holder

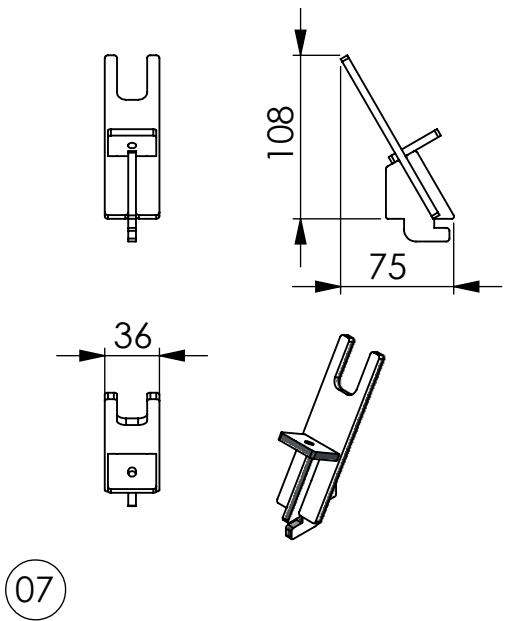
Suitable for all Beurer pulse oximeters



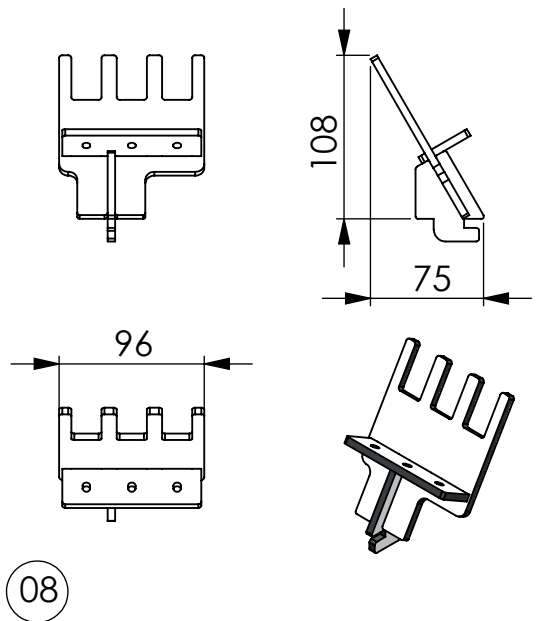
06

Thermometer holders  
Suitable for the models:

- FT 09/1
- BY 11 Dog/Frog/Monkey
- FT 13
- FT 15/1
- OT 20

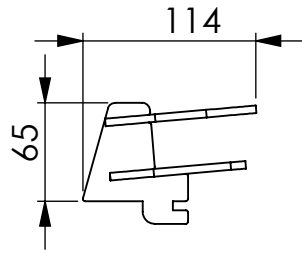
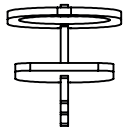


07



08

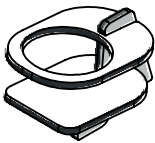
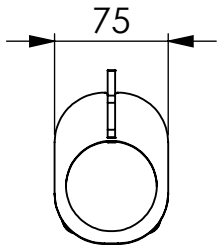
Clinical thermometer holder 3 products



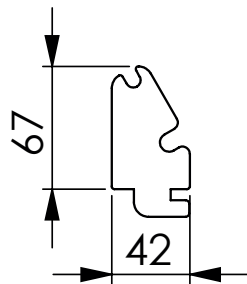
Face brush holder

Suitable for use with all Beurer face brushes (except FC 52 Laguna, this face brush does not require a holder):

- FC 45
- FC 90
- FC 95



09



Hearing aid holder  
Suitable for use with all Beurer hearing aids:

- HA 20 Single
- HA 50 Single
- HA 55 Pair
- HA 80 Single
- HA 80 Pair

These products do not require a holder, and can simply be placed on the display:

Hygrometer:

- HM 16
- HM 22

Daylight lamps:

- TL 20
- TL 30

Sleep aid with light:

- SL 10

Massage:

- MG 10
- MG 16
- MG 18

Inhalation:

- IH 55
- IH 57

FaceCare:

- FC 52 Laguna

BabyCare:

- BY 33
- BY 84